

FIG.1

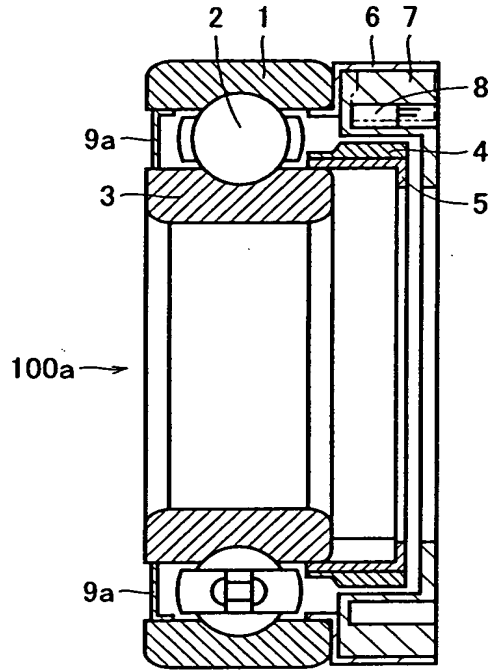


FIG.2

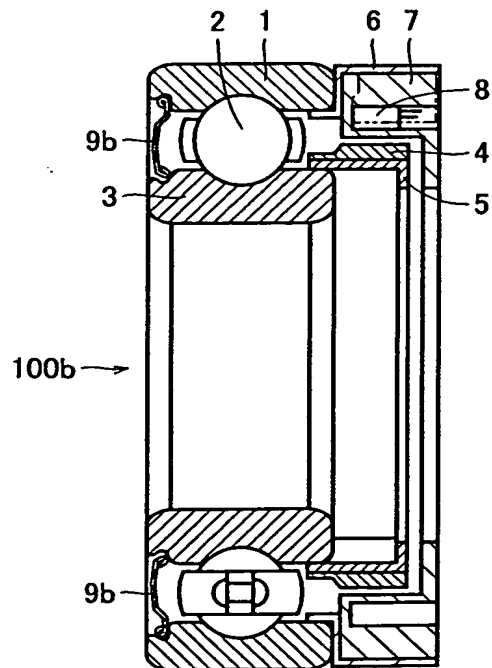


FIG.3

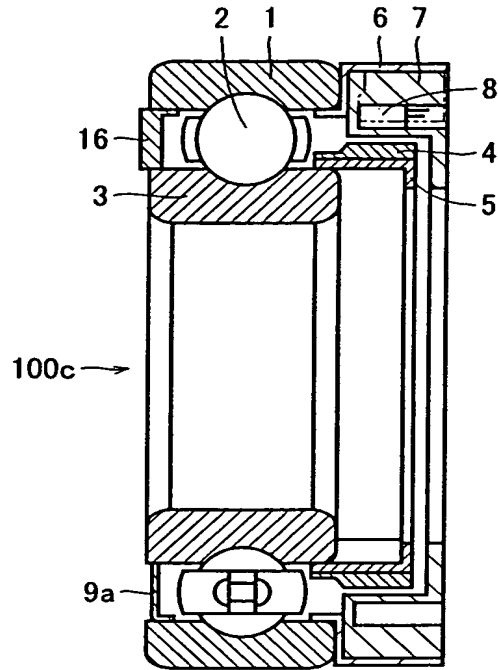


FIG.4

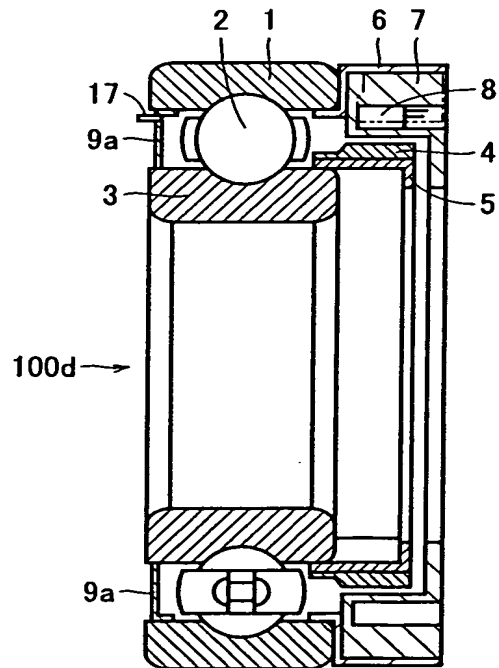


FIG.5

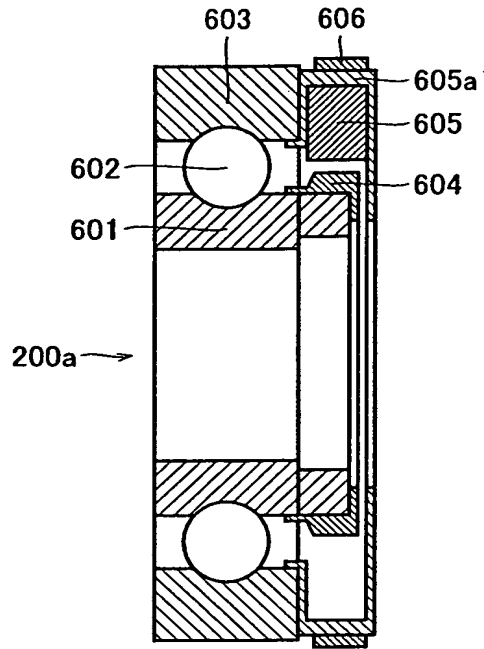


FIG.6

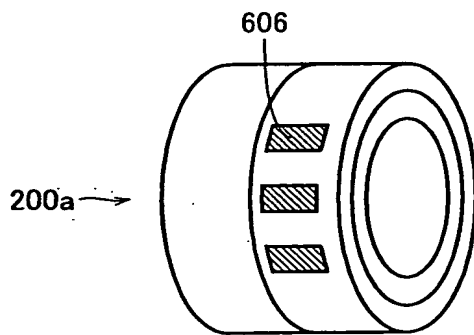


FIG. 7

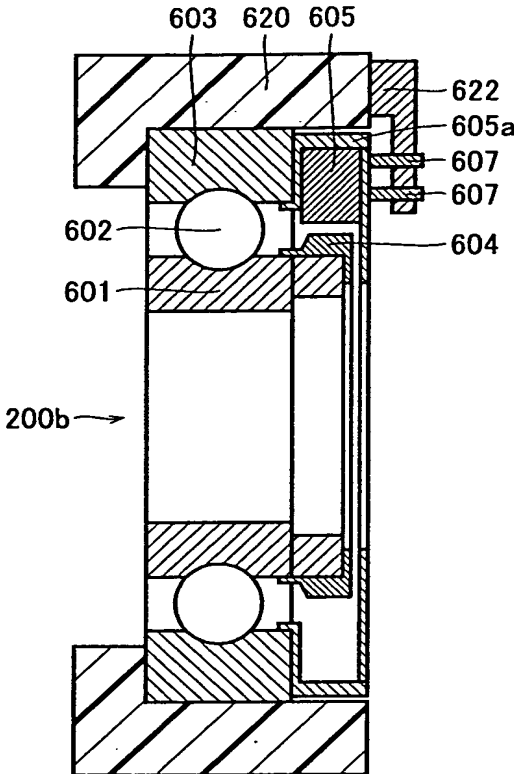


FIG. 8

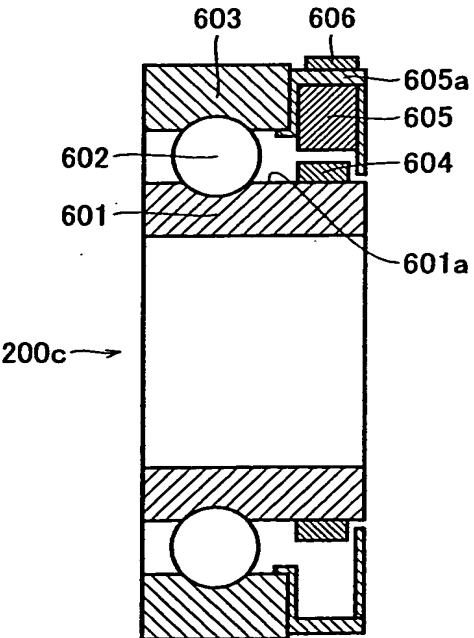


FIG. 9

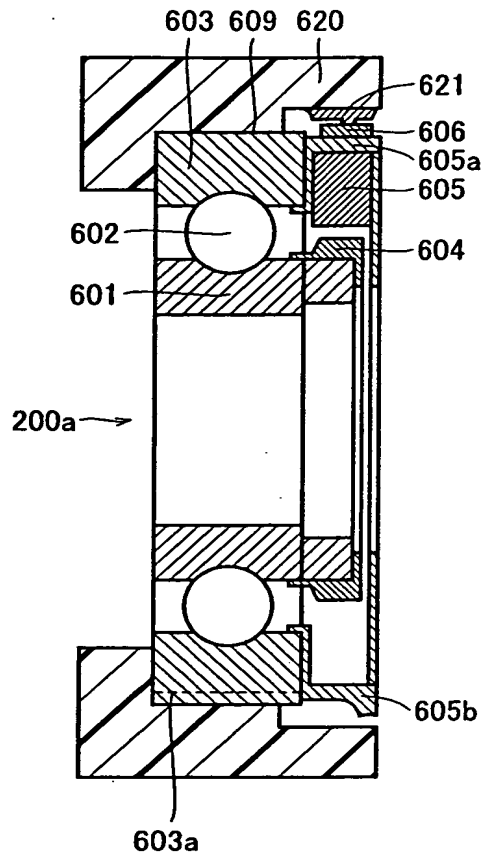


FIG.10

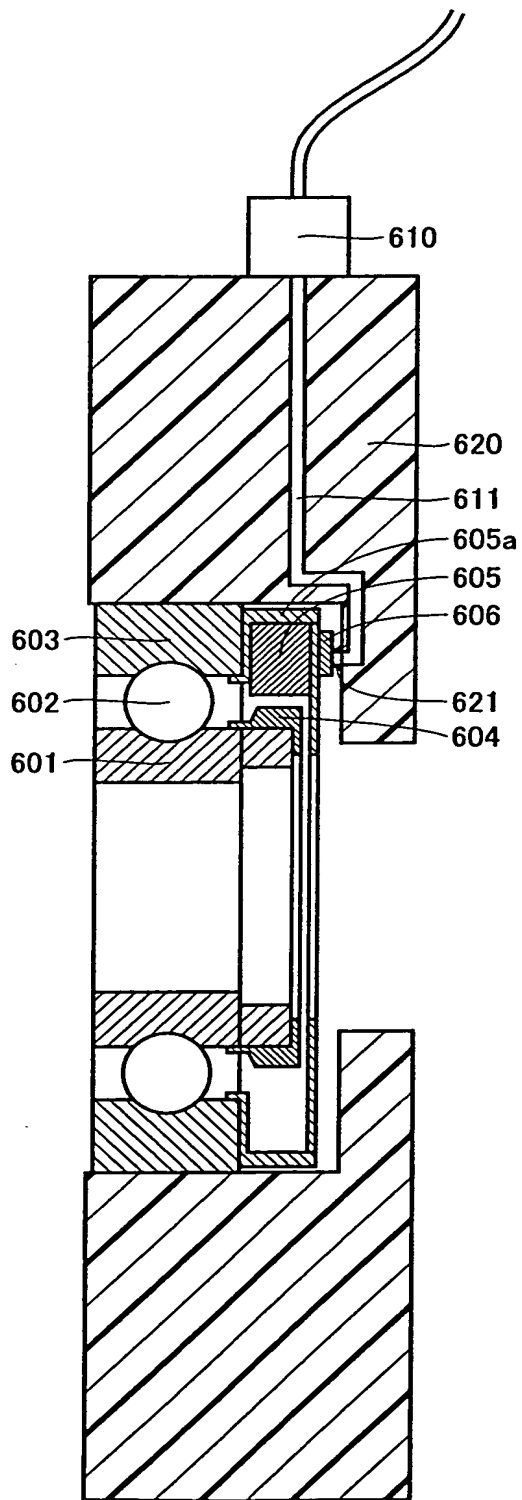




FIG.13

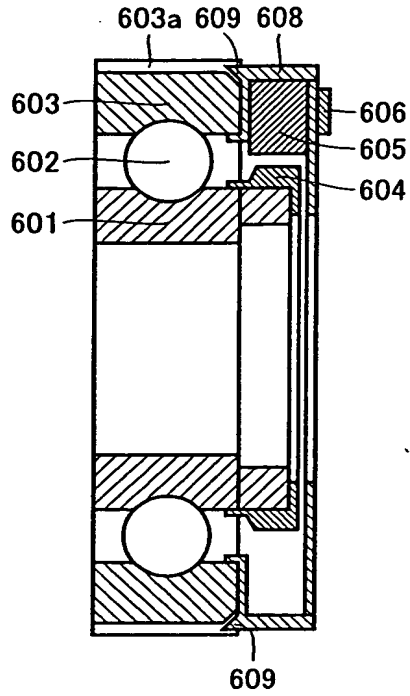


FIG.14

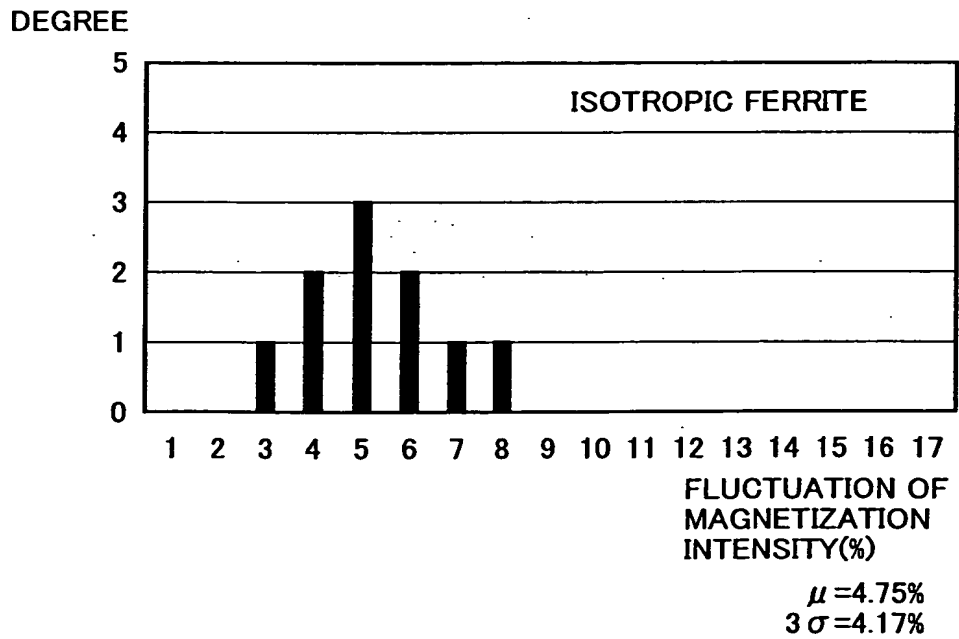




FIG.15

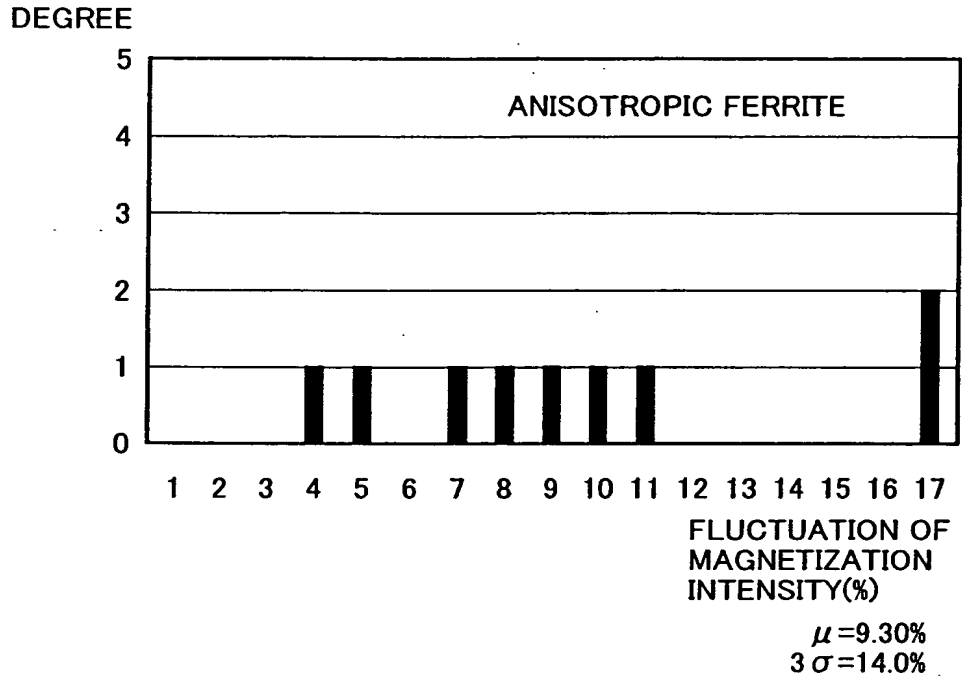


FIG.16

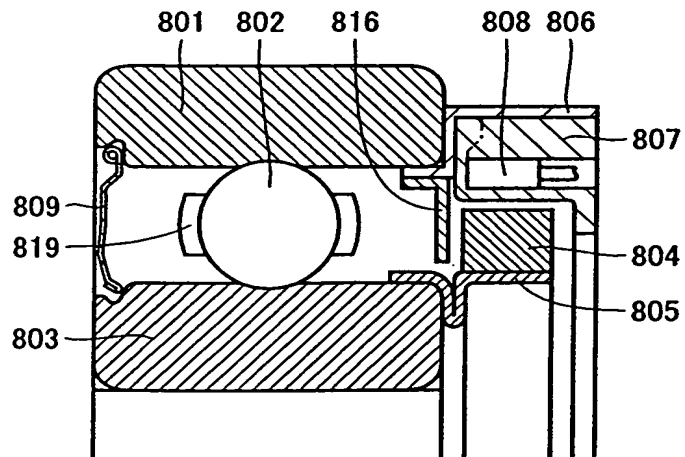


FIG.17

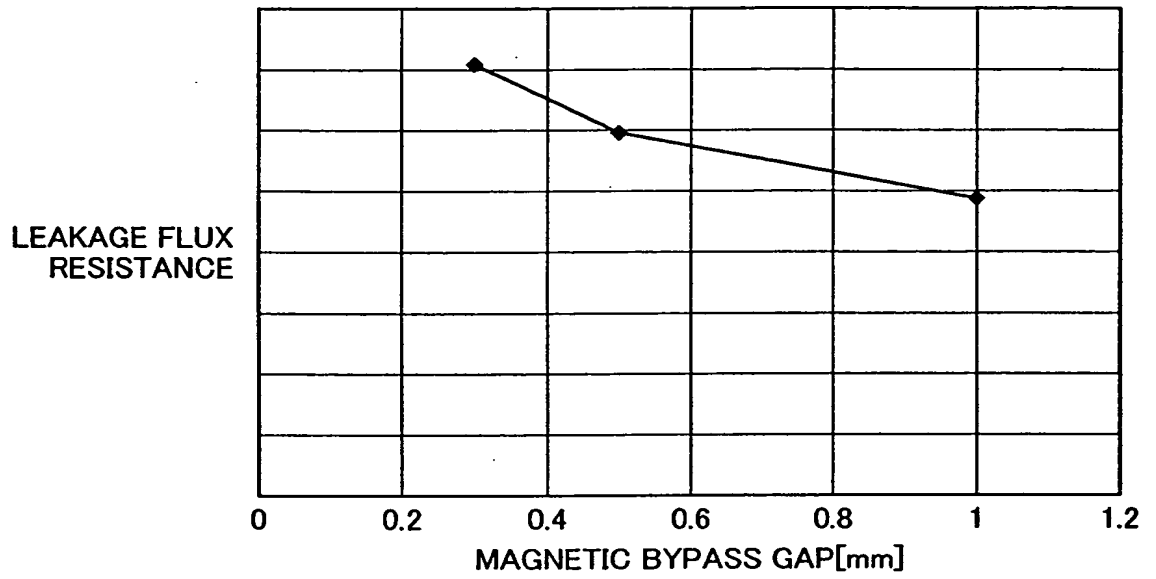


FIG.18

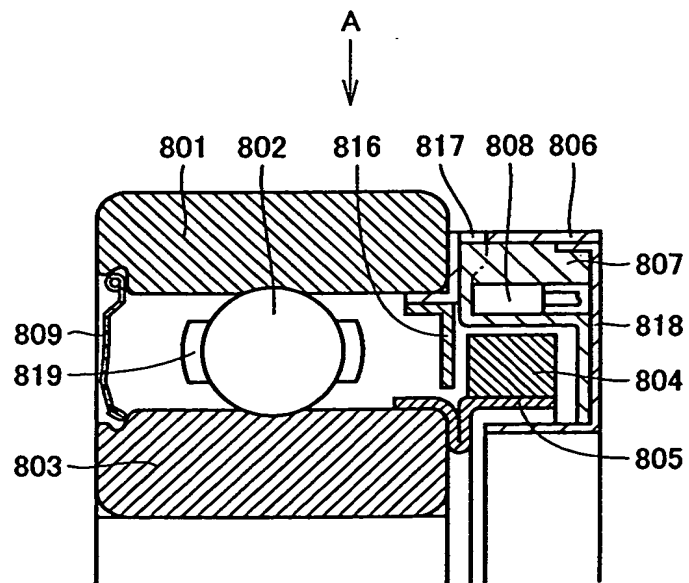


FIG.19

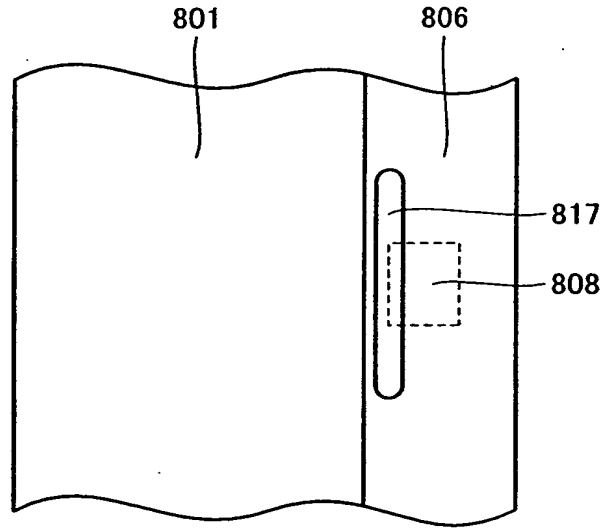


FIG.20

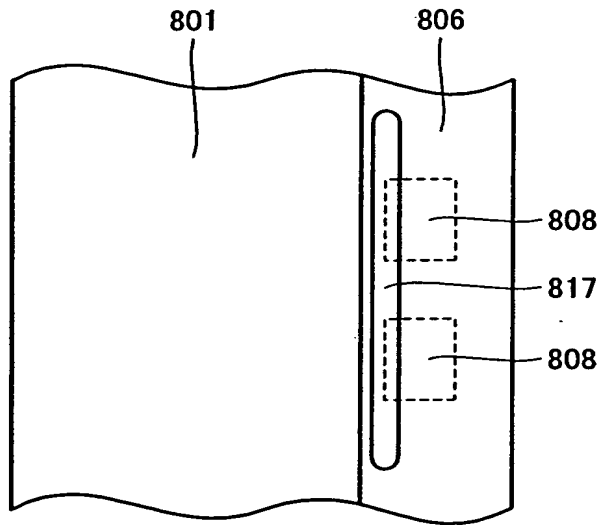


FIG.21

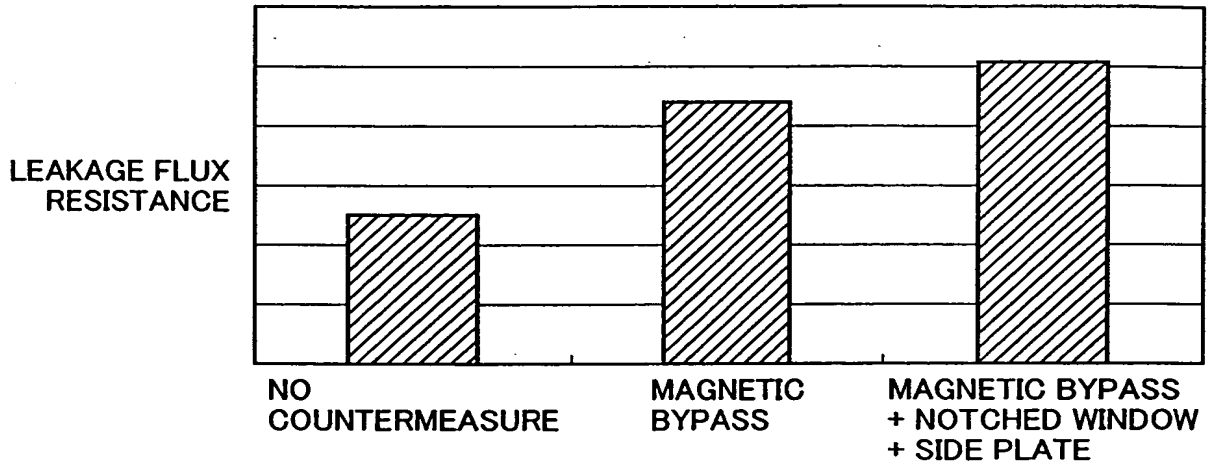


FIG.22

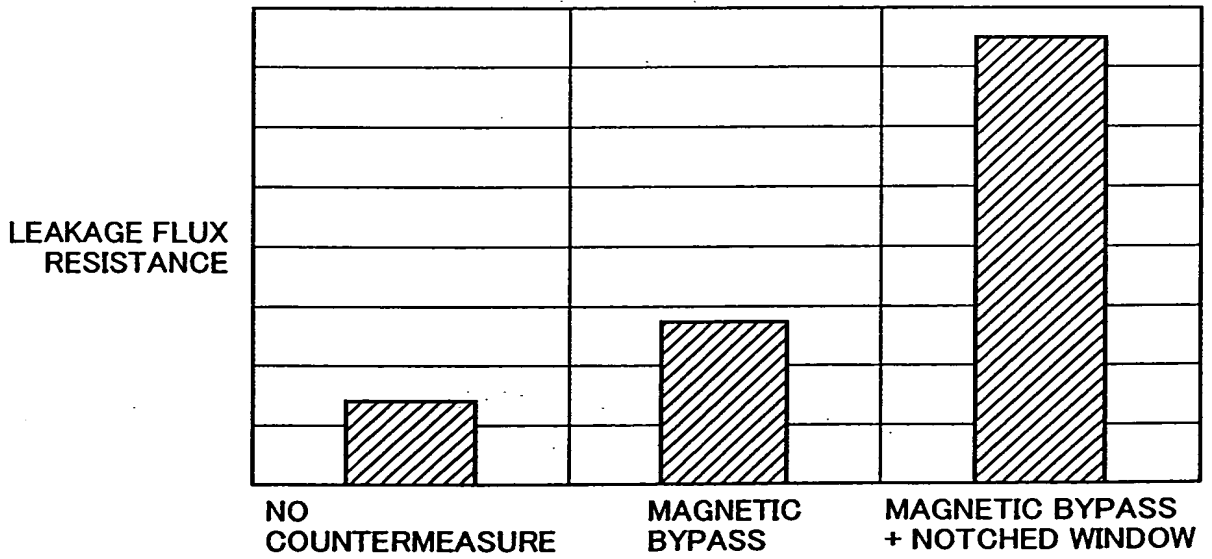


FIG.23B

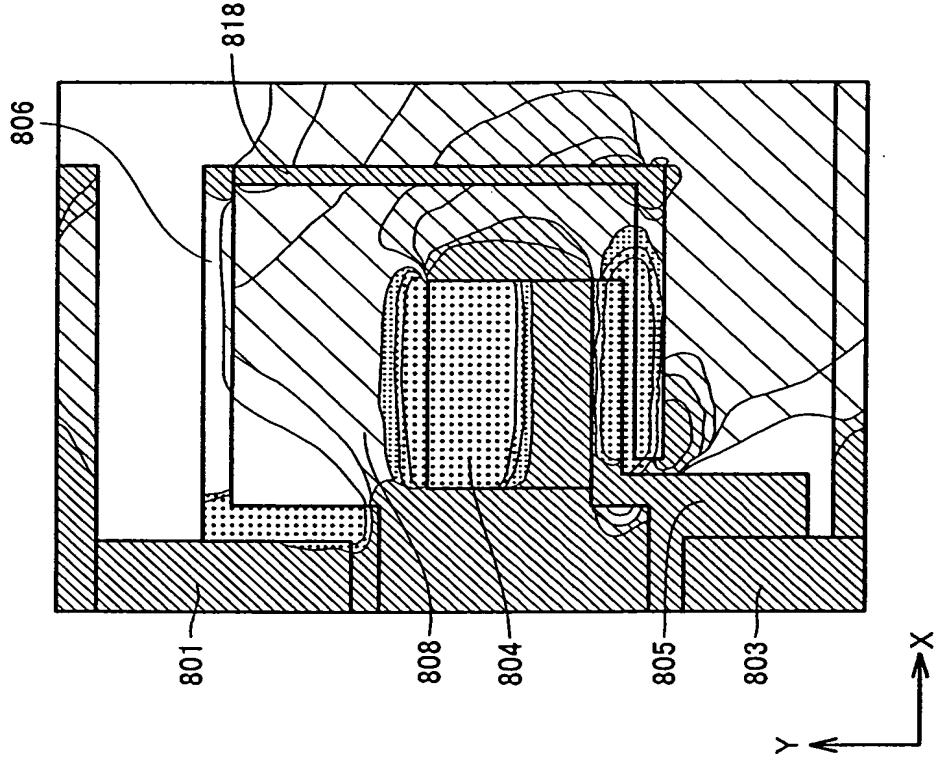


FIG.23A

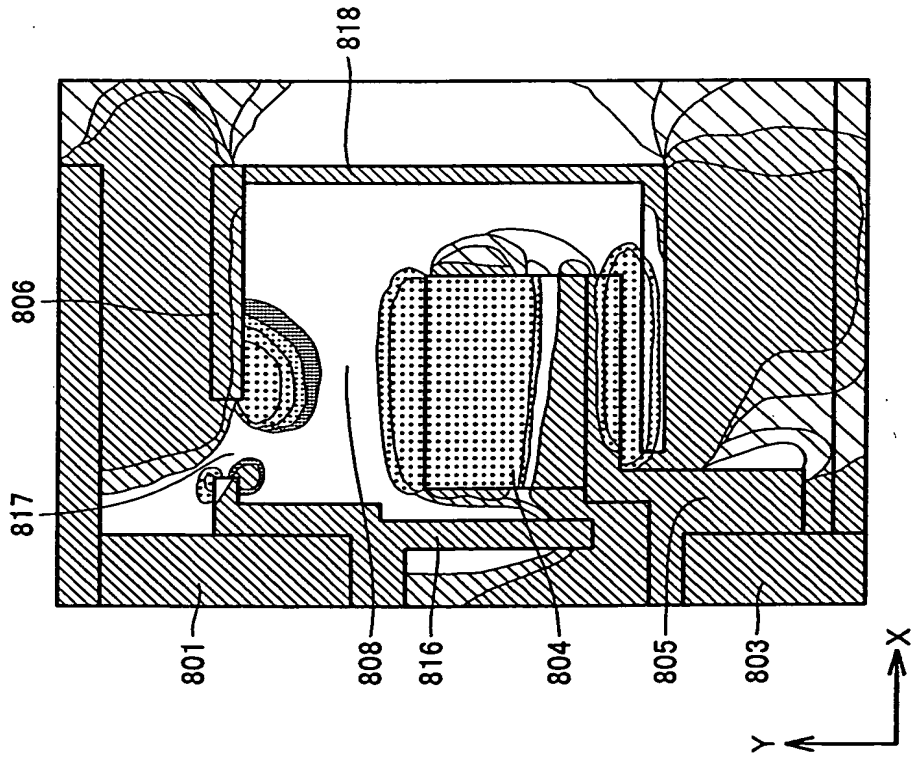


FIG.24A

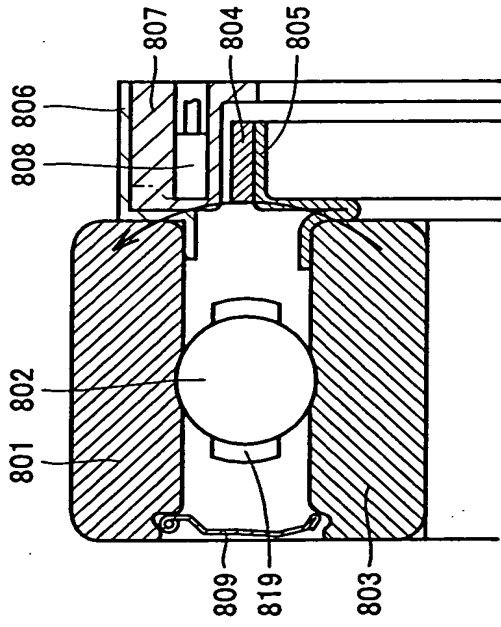


FIG.24B

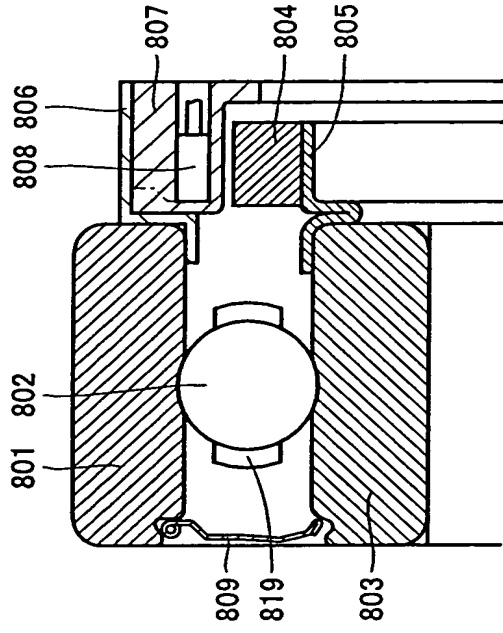


FIG.25

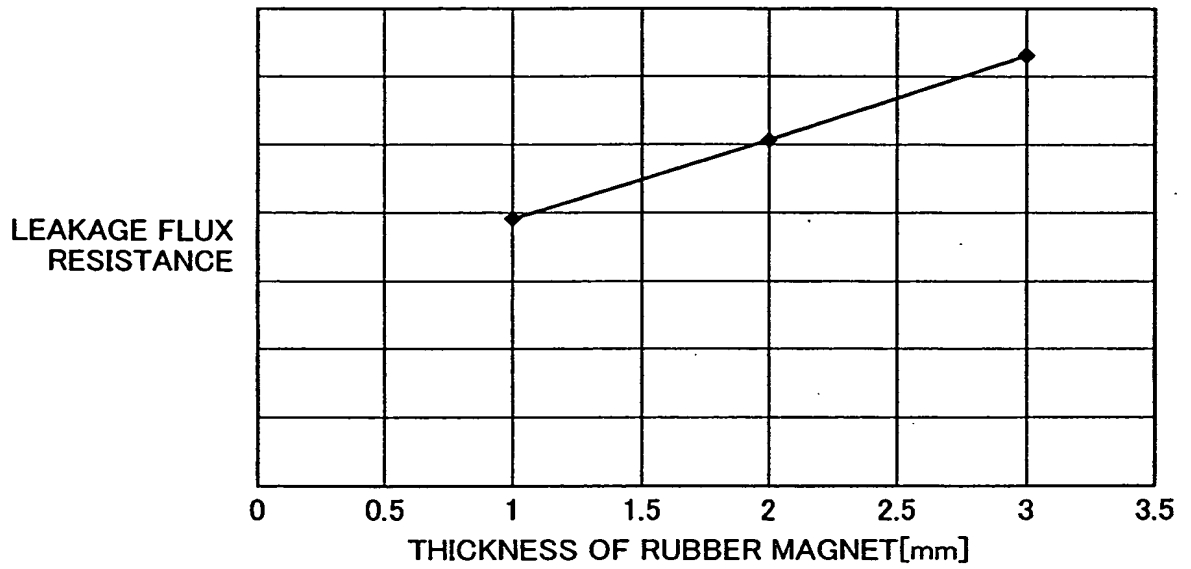


FIG.26 PRIOR ART

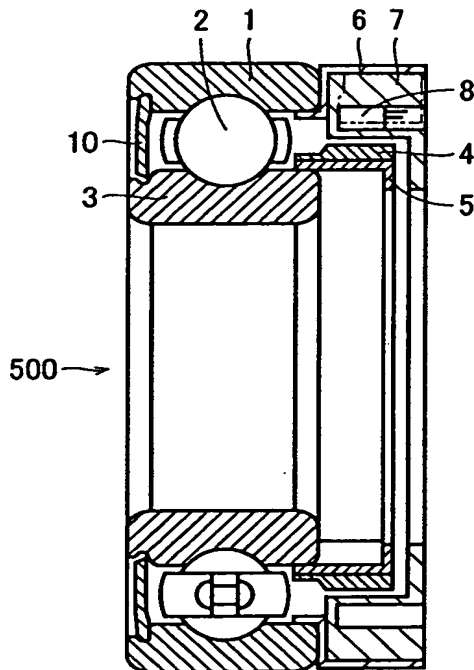


FIG.27 PRIOR ART

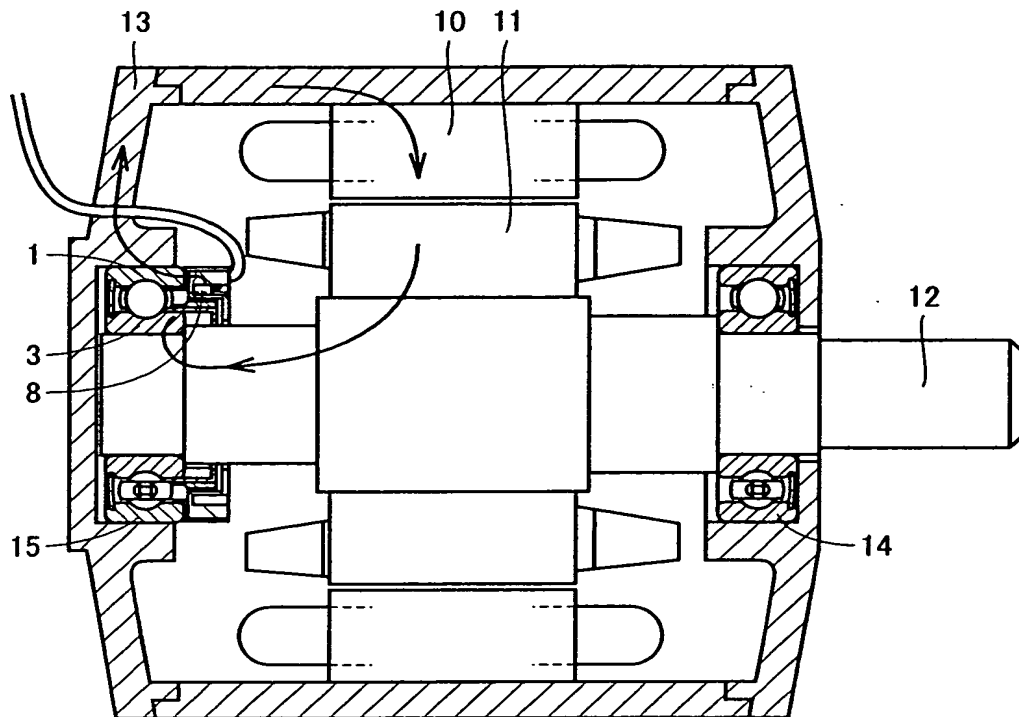


FIG.28 PRIOR ART

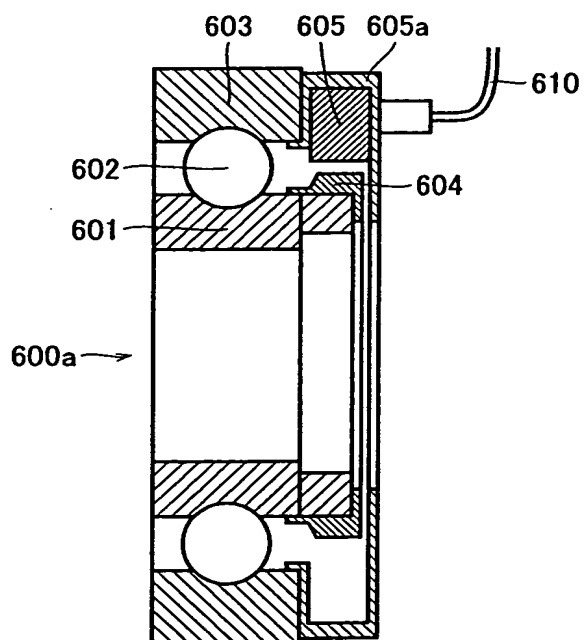




FIG.29 PRIOR ART

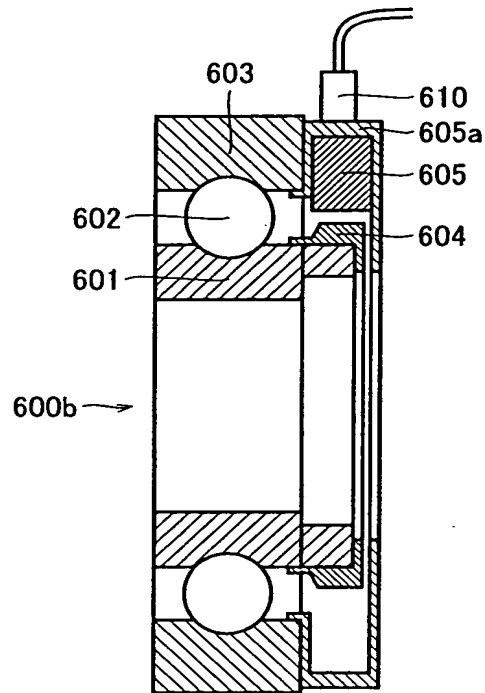


FIG.30 PRIOR ART

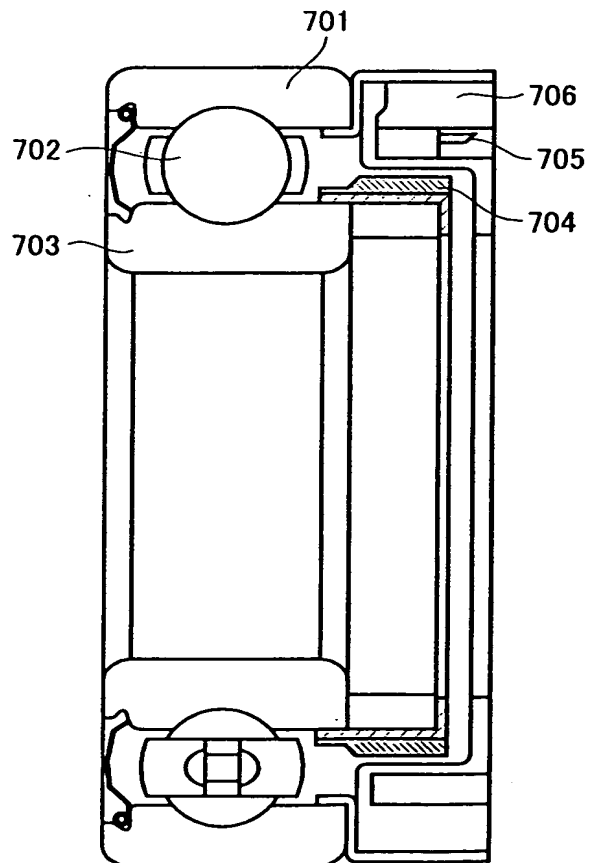


FIG.31A PRIOR ART

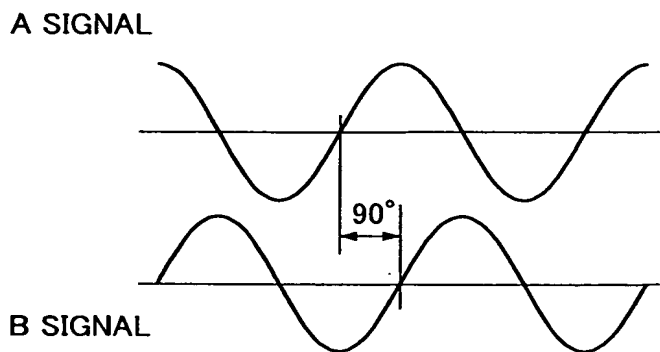


FIG.31B PRIOR ART

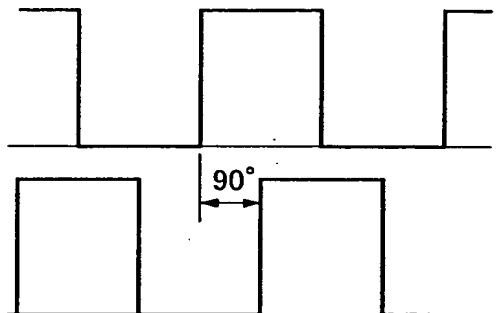


FIG.32 PRIOR ART

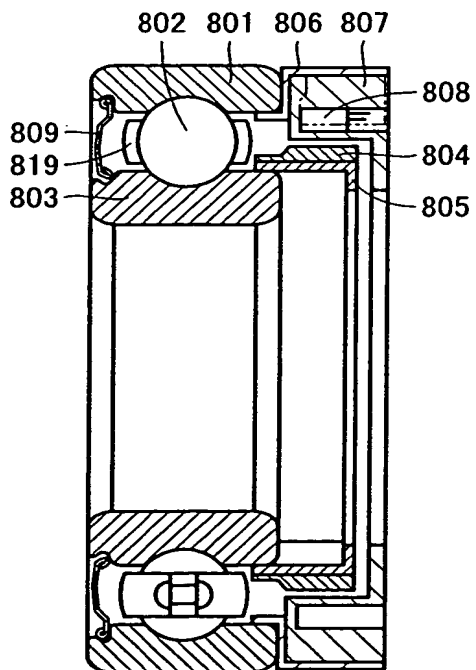


FIG.33 PRIOR ART

